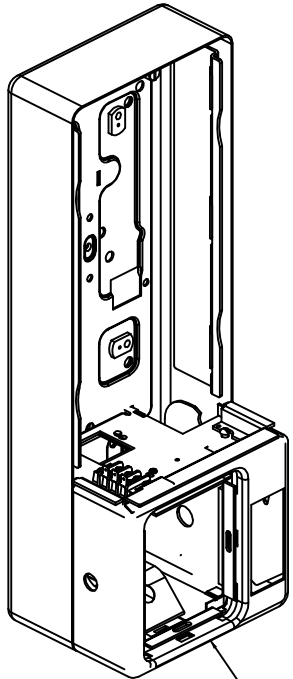


NOTES: UNLESS OTHERWISE SPECIFIED

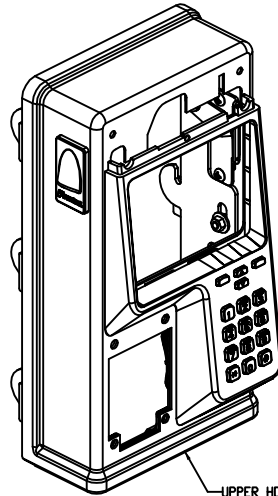
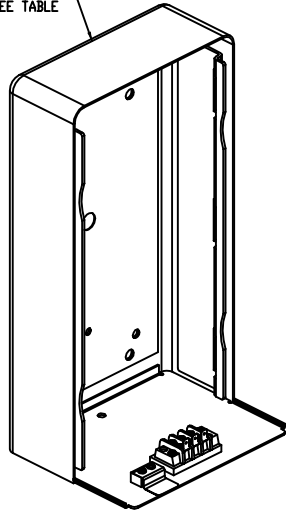
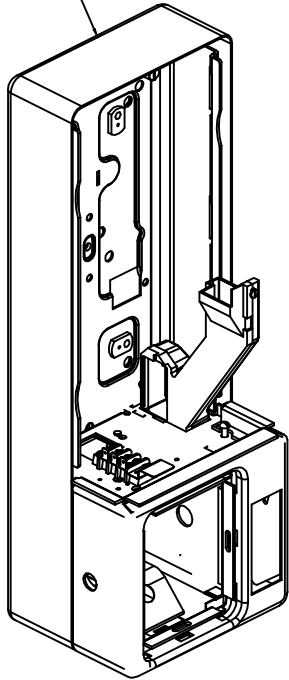
1. FOR CLARITY, TOLL RESTRICTOR COMPONENTS ARE NOT ILLUSTRATED WITH THE DATA JACK PLATE. SEE SEPARATE CMC BILL OF MATERIAL FOR A COMPLETE LIST OF PART NUMBERS INCLUDED IN THE TOLL RESTRICTOR KIT.

SHORTY LOWER HOUSING
SEE TABLE

AE LOWER HOUSING
SEE TABLE



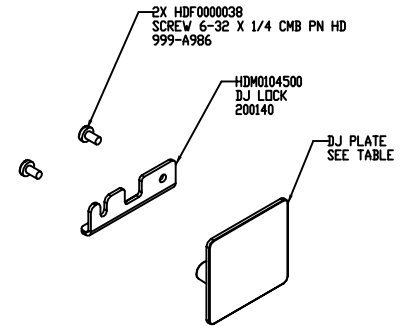
EXC LOWER HOUSING
SEE TABLE



UPPER HOUSING
SEE TABLE

HOUSING CONFIGURATION TABLE

PART NUMBER	DESCRIPTION	ASCN UPPER	AE LOWER	EXC LOWER	SHORTY LOWER	ANTI STUFF DEV
HSGPP02008 200260	HSG ASCN AE	PRN02001AA 200262	PRN00004GC 133141	-----	-----	PR48011UG 146126
HSGPP02009 200265	HSG EXC ASCN AE	PRN02001AA 200262	-----	PRN00049EA 200263	-----	PRN00143EA 180129
HSGPP02010 200261	HSG SHORTY ASCN AE	PRN02001AA 200262	-----	-----	PRN00015GA 113-1021	-----



SCALE 1:1

DATA JACK PLATE KIT

PART NUMBER	DESCRIPTION	DATA JACK PLATE	
		W/DATA JACK	BLANK
KIT0000274 BOM ONLY	KIT DJ W/TR ASCN AE *	HDM0104300 200139	-----
KIT0000275 BOM ONLY	KIT ND DJ BLANK PLATE ASCN AE	-----	HDM0104400 200139

* SEE NOTE 1.

PROPRIETARY CONFIDENTIAL

Protel
Innovation is our business

D	PROJECT EXPVV00002	ISSUED NUMBER 205136	REV B
SCALE	1:2	PROJ FILE	00336
SHEET	5	OF	5